



High Intensity + Medium Intensity 200,000cd white + 2,000cd red - ICAO Type A + B/C LED aviation obstacle light

CEL-HI-200KW+2KR

Key features

- Based on LED-technology
- 200,000 / 20,000cd effective flashing white during day/twilight, 2,000cd effective flashing/steady red during night
- 120° x 3° beam spread
- Extremely reliable -long lifetime
- Very low power consumption
- Stabilised light output
- Lightweight and small- low wind load factor
- Patented
- Very low total lifetime costs
- Comes with five (5) year warranty
- Over 10 year continuous, maintenance free operating time
- Controlled by CEL LHC Light Head Controller

Specifications met

- ICAO International Standards and Recommended Practices: Aerodromes- Annex 14 Volume 1, 5th Edition, July 2009, Chapter 6: High-intensity Type A, Medium-intensity Type B/C Fixed Obstacle Light

Photometric characteristics

- 200,000cd effective intensity @ day mode
- 20,000cd effective intensity @ twilight mode
- 2,000cd effective intensity @ night mode
- Horizontal radiation pattern 120°
- Vertical radiation pattern 3°

Electrical characteristics (with LHC)

- Operating voltages 48 Vdc, 115 or 230Vac (50/60Hz)
- Constant power input by active PFC
- Flash rates: 20, 40 and 60fpm
- Flash durations: 100, 150, 200 and 250ms
- Power consumptions 312VA@ 40fpm, 250ms
- Operating temperature range -55 ... + 70°C
- Storage temperature range -55 ... +100°C
- LED supply current stabilised by constant current generator

Mechanical characteristics

- Marine grade aluminium enclosure
- Glass cover
- Degree of protection IP65
- Height 843mm, width 353mm, depth 213mm
- Height 973mm with mounting set
- Weight 27kg, including mounting set 35kg
- Mounting set -V or -W include
- Wind load @ 200km/h less than 1000N



CEL-HI-200KW+2KR

Order codes:

CEL-HI-200KW+2KR-V with vertical mounting set

CEL-HI-200KW+2KR-W with wall mounting set

T: +44 (0)20 8540 1034
F: +44 (0)20 8543 3058
E: info@contarnex.com

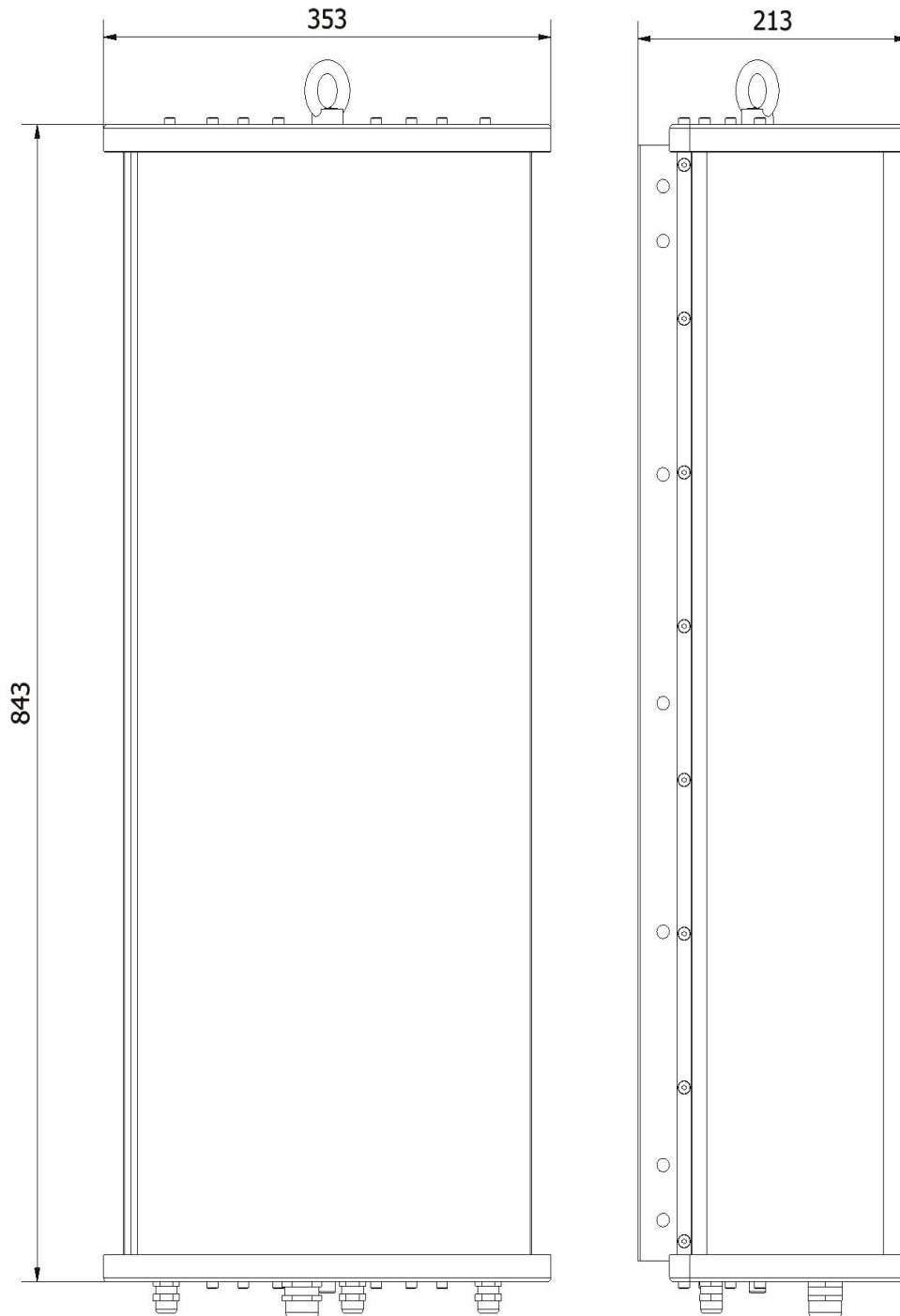
Contarnex Europe Limited
252 Martin Way,
Morden, Surrey SM4 4AW
United Kingdom



High Intensity + Medium Intensity 200,000cd white + 2,000cd red - ICAO Type A + B/C LED aviation obstacle light

CEL-HI-200KW+2KR

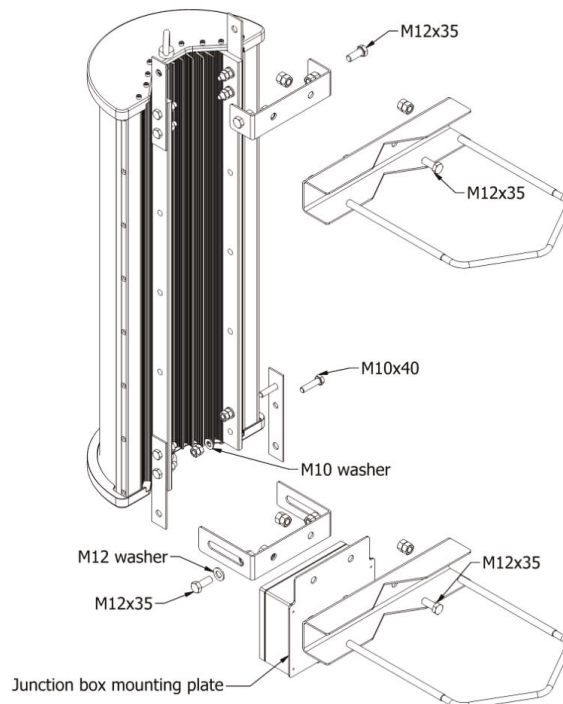
MECHANICAL DIMENSIONS



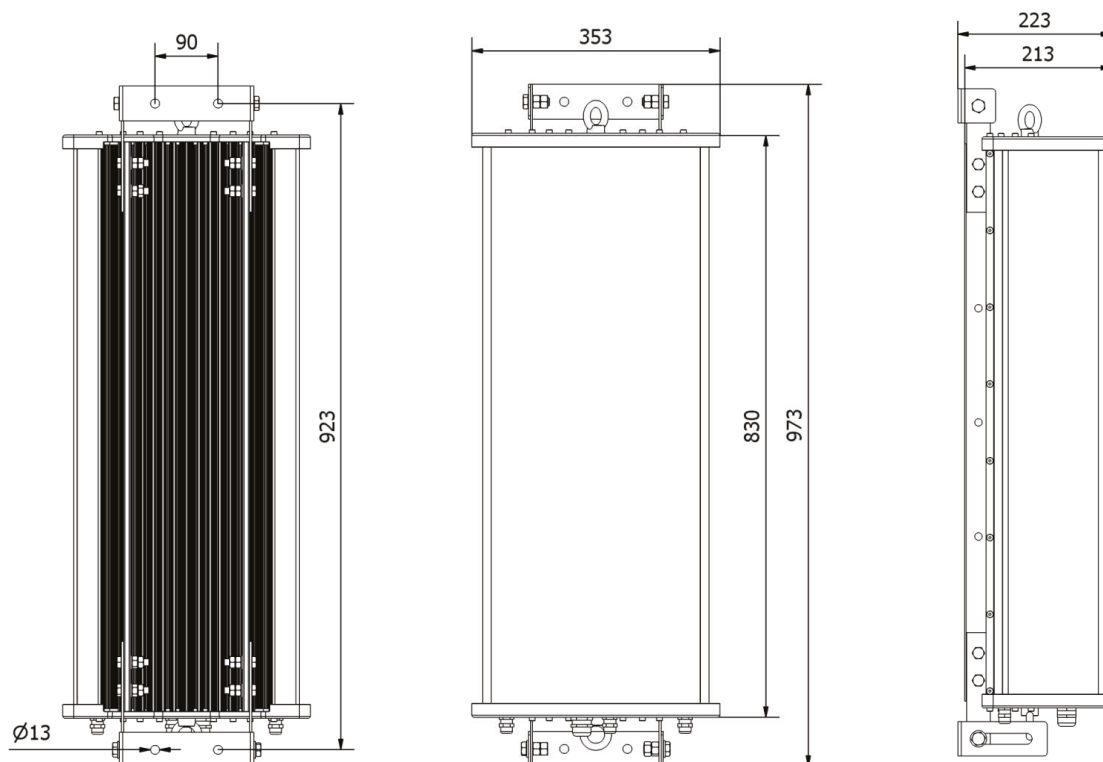
High Intensity + Medium Intensity 200,000cd white + 2,000cd red - ICAO Type A + B/C LED aviation obstacle light

CEL-HI-200KW+2KR

VERTICAL MOUNTING SET



WALL MOUNTING SET



High Intensity + Medium Intensity 200,000cd white + 2,000cd red - ICAO Type A + B/C LED aviation obstacle light

CEL-HI-200KW+2KR

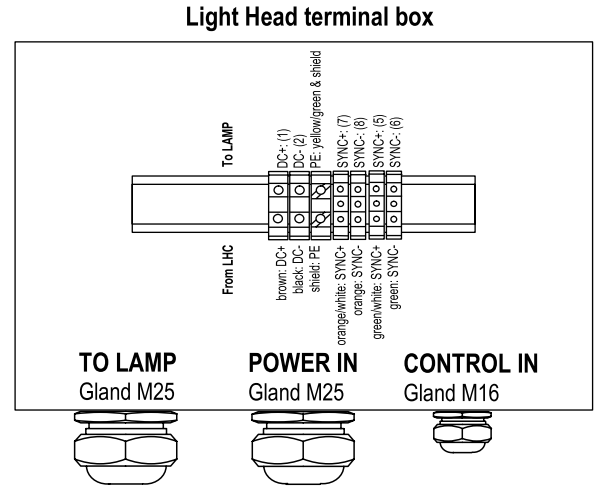
INSTALLATION INSTRUCTIONS

LIGHT HEAD TERMINAL BOX CONNECTIONS

CEL-HI-200KW+2KR light head is connected to light head controller, LHC, via terminal box installed in light head. LHC provides light head's supply voltage and flash control with separate cables which are connected to light head's terminal box

Terminal box connection instructions and cable recommendations:

To lamp 4x2,5 + 4x1mm ²	Power in 3x6mm ²	Control in CAT5
1 = DC+	br = DC+	or/wh = 200KW SYNC+
2 = DC-	bk = DC-	or = 200KW SYNC
3 = NC	wh = NC	gr/wh = 2KR SYNC+
ye/gr = PE	shield = PE	gr = 2KR SYNC-
7 = CDL+		
8 = CDL-		
shield = PE		



POWER AND CONTROL CABLES

