

Medium Intensity Red 2,000cd Light 230VAC - LED Aircraft Warning Light CEL-MI-ACWGAM - StandAlone / MODBUS

Medium Intensity stand-alone 2,000cd red model is designed for Skyscraper Towers and Wind Turbines. This intelligent light offers unique features such as incorporated fault monitoring, photocell, GPS synchronisation, adjustable luminosity and supports both stand-alone and Modbus operation as a part of a larger CEL aviation light system network.

Key features

- 2,000cd (effective) RED fixed or flashing modes
- Extremely reliable - long lifetime
- Supports both stand-alone and Modbus operations
- Suitable for Offshore environment
- Incorporated GPS synchronisation
- Adjustable luminous output levels 10%, 30%, and 100%
- Incorporated photocell and fault monitoring
- WIFI interface
- Design lifetime more than 20 years
- 5-year warranty- the longest in the industry

Specifications met

- ICAO International Standards and Recommended Practices: Aerodromes Annex 14 Volume 1, 8th Edition, July 2018,
- Chapter 6: Medium-intensity, Type B/C Fixed Obstacle Light
- European Aviation Safety Agency - Chapter Q — Visual Aids for Denoting Obstacles CS-ADR-DSN.Q.848
- FAA Advisory Circular 150/534543F 09/12/06: L-864 and L-885

Optical characteristics

- 2,000cd (effective)
- Colour aviation RED
- NVG compliant infrared (850nm)
- Horizontal beam 360°
- Vertical beam 3°
- Maximum intensity at -1° is less than 1,125cd
- Maximum intensity at -10° is less than 75cd

Electrical characteristics

- Operating voltage 90-265VAC
- Constant power input by active PFC
- Flash rates: 20/30/40/60fpm
- Meets standards
EMC (Emissions): EN 61000-6-4
EMC (Immunity): EN 61000-6-2



Electrical characteristics - continued

- Power consumption
17W @Night (RED, 40 fpm)
20W @Night (RED+IR, 40 fpm)
25W @Night (RED, fixed)
30W @Night (RED+IR, fixed)
- Recommended cables (Outdoor):
Power (L-N-PE): 3x1,5mm or 3x2,5mm
Data: CAT 7
Alarm: CAT 7, 3x1,5mm or 3x2,5mm
Power + Data: 6x1,5mm or 6x2,5mm
- Input/Output terminals can be used to daisy chain power and data to additional lightheads

Mechanical characteristics

Painted marine grade aluminium body (C5MHigh)
Glass cover
Degree of protection IP66
Operating temperature range -40...+55°C
Mounting 240x240mm
Height 333mm, diameter 270mm
Weight 11kg

Additional Factory-Installed Options

Cold-climate version (CCV)
NVG compliant infrared (IR)



T: +44 (0)20 8540 1034
F: +44 (0)20 8543 3058
E: info@contarnex.com

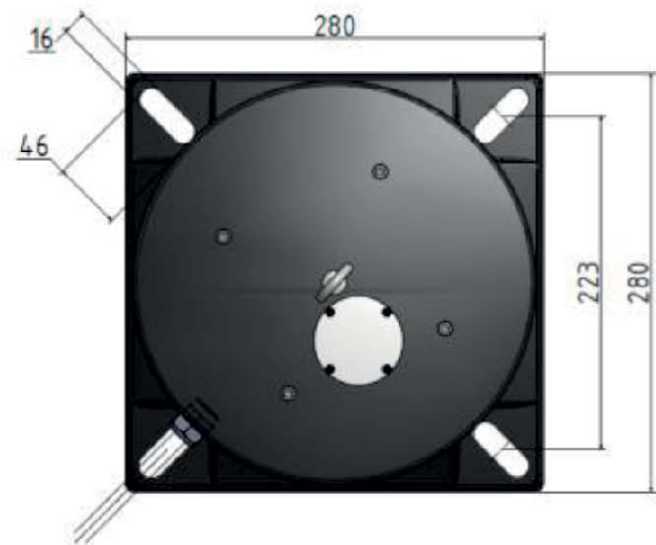
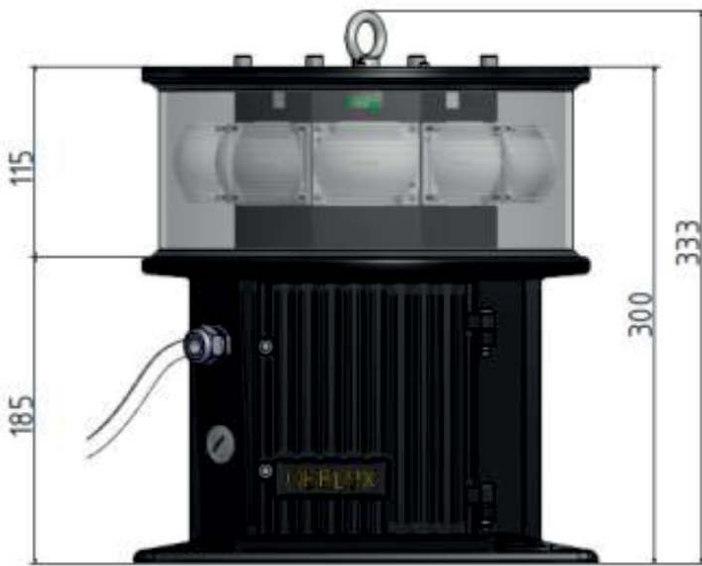
Contarnex Europe Limited
252 Martin Way,
Morden, Surrey SM4 4AW
United Kingdom



Medium Intensity Red 2,000cd Light 230VAC - LED Aircraft Warning Light CEL-MI-ACWGAM - StandAlone / MODBUS

CEL-MI-ACWGAM

Light unit with mounting dimensions



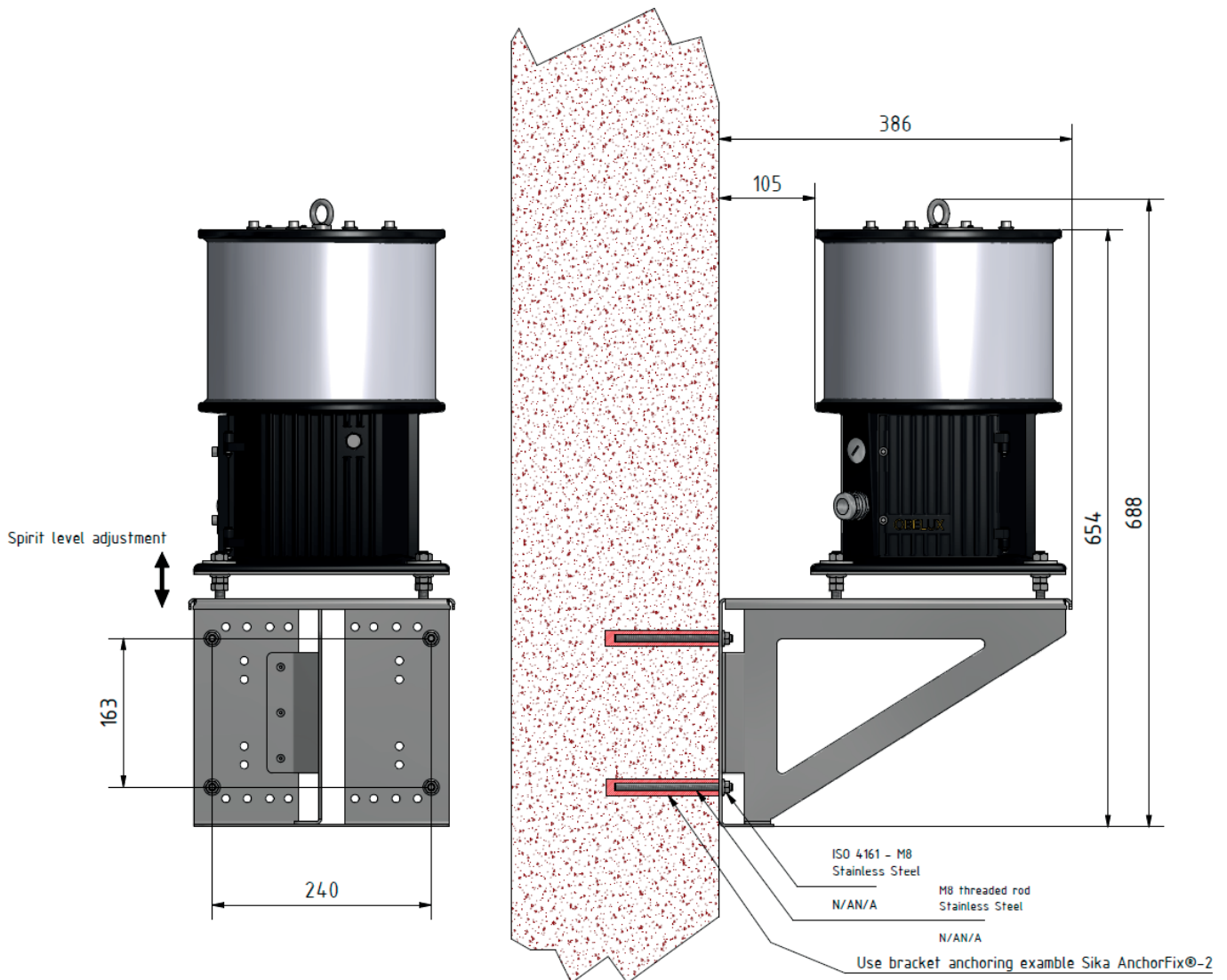
MI Versions

CEL-MI-ACWGAM	Medium-intensity Type B/C obstruction light, 2,000cd Red, GPS sync, Photocell, Alarm, 100-240VAC Supports stand-alone and Modbus operation.
CEL-MI-ACWIRGAM	Medium-intensity Type B/C obstruction light, 2,000cd Red, infrared, GPS sync, Photocell, Alarm, 100-240VAC. Supports stand-alone and Modbus operation.
CEL-MI-ACWCCVGAM	Medium-intensity Type B/C obstruction light, 2,000cd Red, CCV, GPS sync, Photocell, Alarm, 100-240VAC . Supports stand-alone and Modbus operation.
CEL-MI-ACWCCVIRGAM	Medium-intensity B/C obstruction light, 2,000cd Red, Cold Climate Version, infrared, GPS sync, Photocell, Alarm, 100-240VAC. Supports stand-alone and Modbus operation.

Medium Intensity Red 2,000cd Light 230VAC - LED Aircraft Warning Light CEL-MI-ACWGAM - StandAlone / MODBUS

CEL-MS-MIV1002

Light unit with mounting vertical wall mounting



Medium Intensity Red 2,000cd Light 230VAC - LED Aircraft Warning Light CEL-MI-ACWGAM - StandAlone / MODBUS

CEL-MS-MIV1002

Light unit with mounting vertical pole mounting

