



Medium Intensity White/Red 20,000cd Light 230VAC - LED Aircraft Warning Light CEL-MID-ACWGAM - StandAlone / MODBUS

Medium-Intensity stand-alone 20,000cd white/red model is designed for Skyscraper Towers and Wind Turbines. This intelligent light offers unique features such as incorporated fault monitoring, photocell, GPS synchronisation, and supports both stand-alone and Modbus operation as a part of a larger CEL aviation light system network.

Key features

- 20,000cd (effective) WHITE flashing, RED fixed or flashing
- Extremely reliable - long lifetime
- Supports both stand-alone and Modbus operations
- Suitable for Offshore environment
- Incorporated GPS synchronisation
- Adjustable luminous output levels 10%, 30%, and 100%
- Incorporated photocell and fault monitoring
- WIFI interface
- Design lifetime more than 20 years
- 5-year warranty- the longest in the industry

Specifications met

- ICAO International Standards and Recommended Practices: Aerodromes Annex 14 Volume 1, 8th Edition, July 2018,
- Chapter 6: Medium-intensity, Type B/C Fixed Obstacle Light
- European Aviation Safety Agency - Chapter Q — Visual Aids for Denoting Obstacles CS-ADR-DSN.Q.848
- FAA Advisory Circular AC 150/5345-43G: L-865+L-864, L866+L-885

Optical characteristics

- 20,000cd / 2,000cd (effective)
- Colour aviation WHITE and RED
- NVG compliant infrared (850nm) as an option
- Horizontal beam 360°
- Vertical beam 3°
- Maximum intensity at -1° is less than 11 250cd (white), 1125cd (red)
- Maximum intensity at -10° is less than 750cd (white), 75cd (red)

Electrical characteristics

- Operating voltage 90-265VAC
- Constant power input by active PFC
- Flash rates: 20/30/40/60 fpm
- Meets standards
- EMC (Emissions): EN 61000-6-4
- EMC (Immunity): EN 61000-6-2



Power Consumption

- 19W @ day (WHITE, 40fpm)
- 4W @ night (WHITE, 40fpm)
- 5.5W @ night (WHITE+IR, 40fpm)
- 17W @ night (RED, 40fpm)
- 20W @ night (RED+IR, 40fpm)
- 25W @ night (RED, fixed)
- 30W @ night (RED+IR)

Recommended Cables (Outdoor):

- Power (L-N-PE): 3 x 1.5mm or 3 x 2.5mm
- Data: CAT 6
- Alarm CAT 6 , 3 x 1.5mm or 3 x 2.5mm
- Power + Alarm: 6 x 1.5mm or 6 x 2.5mm
- Terminals can be used to daisy chain power and data to additional lighthoods (6 core cable must be used)

Additional Factory-Installeaed Options

- Cold climate version (CCV)
- NVG compliant infrared (IR)



T: +44 (0)20 8540 1034
F: +44 (0)20 8543 3058
E: info@contarnex.com

Contarnex Europe Limited
252 Martin Way,
Morden, Surrey SM4 4AW
United Kingdom



Medium Intensity White/Red 20,000cd Light

230VAC - LED Aircraft Warning Light

CEL-MID-ACWGAM - StandAlone / MODBUS

Mechanical characteristics

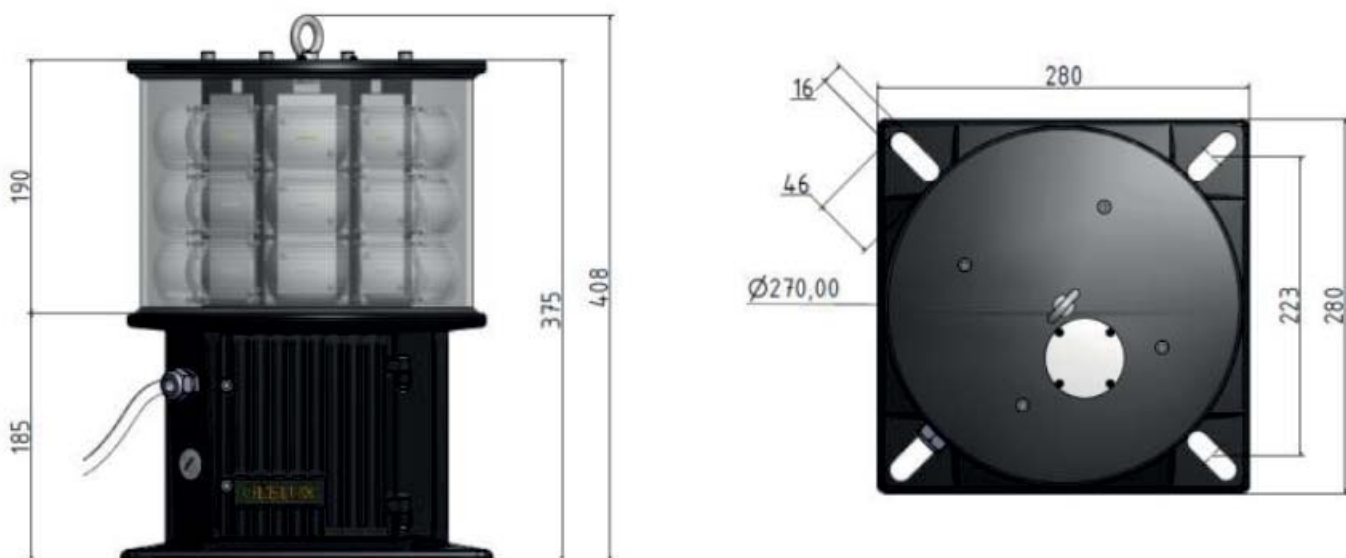
- Painted marine grade aluminium body (C5MHigh)
- Glass cover
- Degree of protection IP66
- Operating temperature range -40...+55 °C
- Mounting 240x240mm,
- Height 408 mm, diameter 270 mm
- Weight 14 kg

Additional Factory-Installed Options

- Cold-climate version (CCV)
- NVG compliant infrared (IR)

CEL-MID-ACWGAM

Light unit with mounting dimensions



MID Versions

CEL-MID-ACWGAM	Medium-intensity Type A + B/C obstruction light, 20.000cd White and 2 000cd Red, GPS sync, Photocell, Alarm, 100-240VAC. Supports stand-alone and Modbus operation.
CEL-MID-ACWIRGAM	Medium-intensity Type A + B/C obstruction light, 20.000cd White and 2 000cd Red, infra red, GPS sync, Photocell, Alarm, 100-240VAC. Supports stand-alone and Modbus operation.
CEL-MID-ACWCCVGAM	Medium-intensity Type A + B/C obstruction light, 20.000cd White and 2 000cd Red, CCV, GPS sync, Photocell, Alarm, 100-240VAC . Supports stand-alone and Modbus operation.
CEL-MID-ACWCCVIRGAM	Medium-intensity Type A + B/C obstruction light, 20.000cd White and 2 000cd Red, CCV, infrared, GPS sync, Photocell, Alarm, 100-240VAC. Supports stand-alone and Modbus operation.

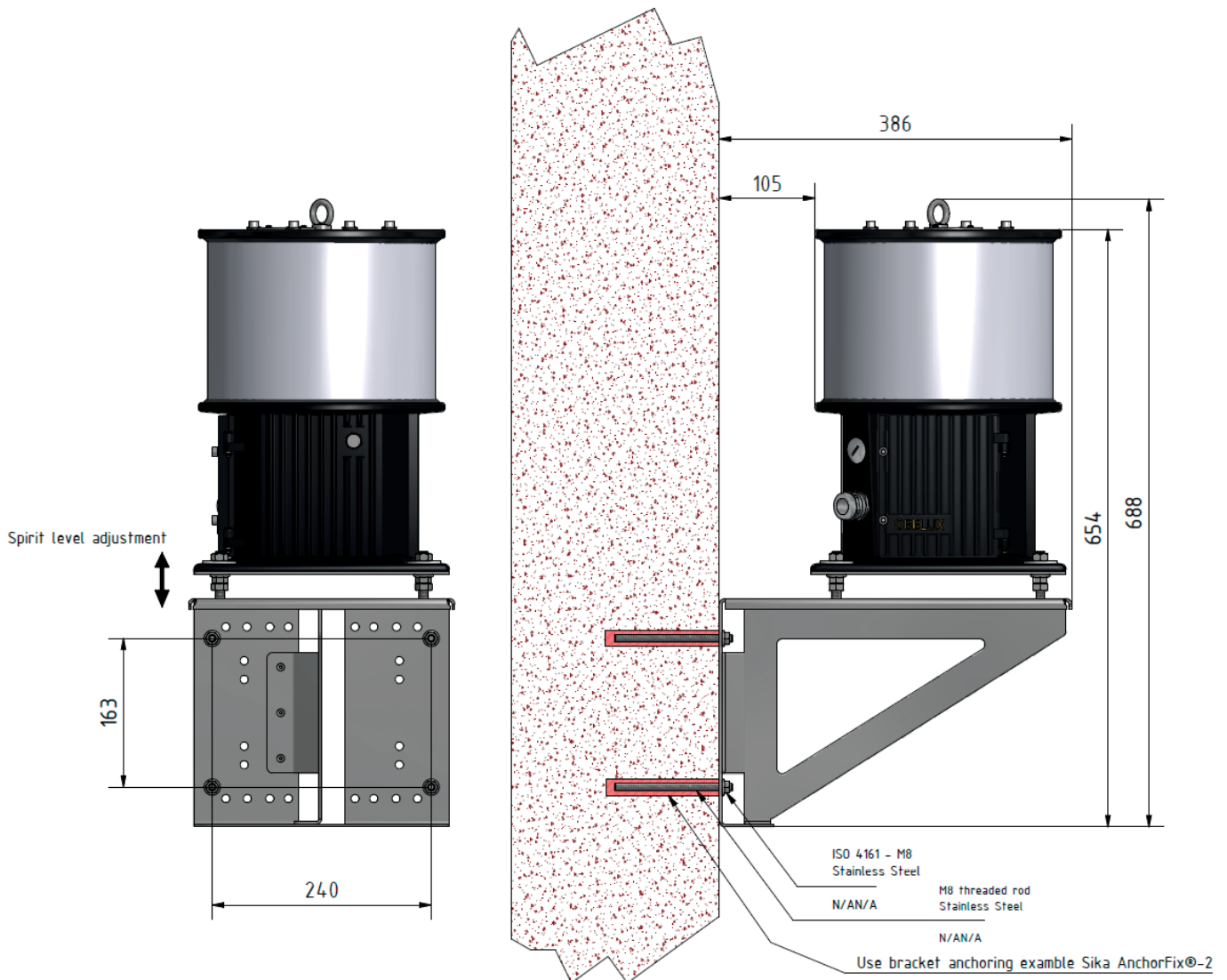
Medium Intensity White/Red 20,000cd Light

230VAC - LED Aircraft Warning Light

CEL-MID-ACWGAM - StandAlone / MODBUS

CEL-MS-MIV1002

Light unit with mounting vertical wall mounting



Medium Intensity White/Red 20,000cd Light

230VAC - LED Aircraft Warning Light

CEL-MID-ACWGAM - StandAlone / MODBUS

CEL-MS-MIV1002

Light unit with mounting vertical pole mounting

