



# High Intensity 200,000cd white ICAO Type A LED flashing obstacle light

CEL-HI-200KW-x

## Key features

- Based on LED-technology
- 200,000 / 20,000 / 2,000cd effective flashing white
- 120° x 3° beam spread
- Extremely reliable - long lifetime
- Very low power consumption
- Stabilised light output
- Lightweight and small - low wind load factor
- Easy to install
- Patented
- Very low total lifetime costs
- Comes with five (5) year warranty
- Over 10 year continuous, maintenance free operating time
- Controlled by CEL LHC Light Head Controller

## Specifications met

- ICAO International Standards and Recommended Practices:  
Aerodromes - Annex 14 Volume 1, 5th Edition, July 2009,  
Chapter 6: High-intensity, Type A Fixed Obstacle Light

## Photometric characteristics

- 200,000cd effective intensity @ day mode
- 20,000cd effective intensity @ twilight mode
- 2,000cd effective intensity @ night mode
- Colour aviation white
- Horizontal radiation pattern 120°
- Vertical radiation pattern 3°

## Electrical characteristics (with LHC)

- Flash rate: 20, 40 and 60fpm
- Flash duration: 100, 150, 200 and 250ms
- Power consumptions 312 VA @ 40fpm, 250ms
- Operating temperature range -55...+70°C
- Storage temperature range -55...+100°C
- LED supply current stabilized by constant current generator

## Mechanical characteristics

- Marine grade aluminium enclosure
- Glass cover
- Degree of protection IP65
- Height 843mm, width 353mm, depth 213mm
- Height 973mm with mounting set
- Weight 27kg, including mounting set 35kg
- Mounting set -V or -W include
- Wind load @ 200km/h less than 1000N

Made in EU

Page 1 of 5



CEL-HI-200KW

## Order codes:

CEL-HI-200KW-V with vertical mounting set

CEL-HI-200KW-W with wall mounting set

T: +44 (0)20 8540 1034  
F: +44 (0)20 8543 3058  
E: info@contarnex.com

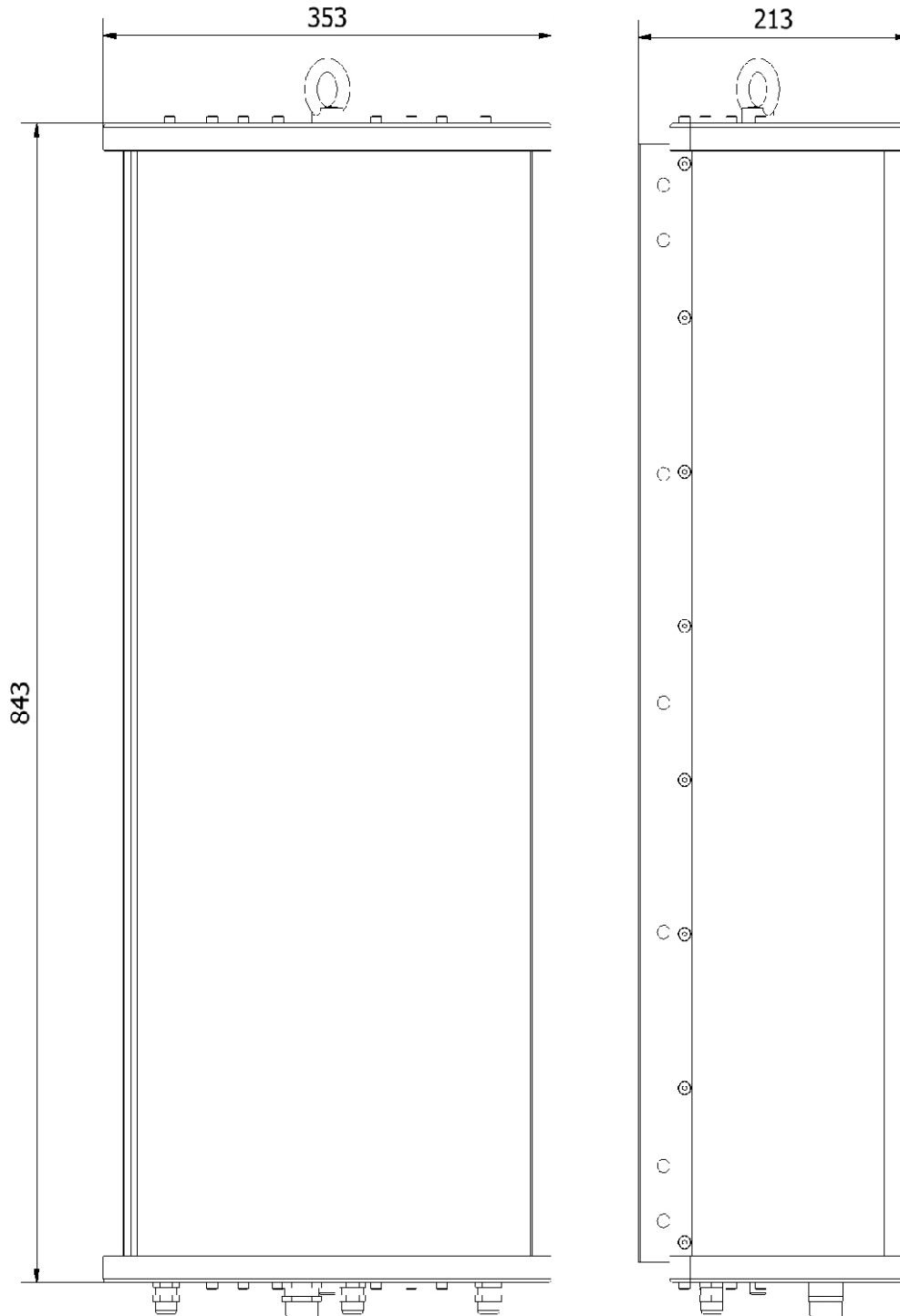
Contarnex Europe Limited  
252 Martin Way,  
Morden, Surrey SM4 4AW  
United Kingdom



# High Intensity 200,000cd white ICAO Type A LED flashing obstacle light

CEL-HI-200KW-x

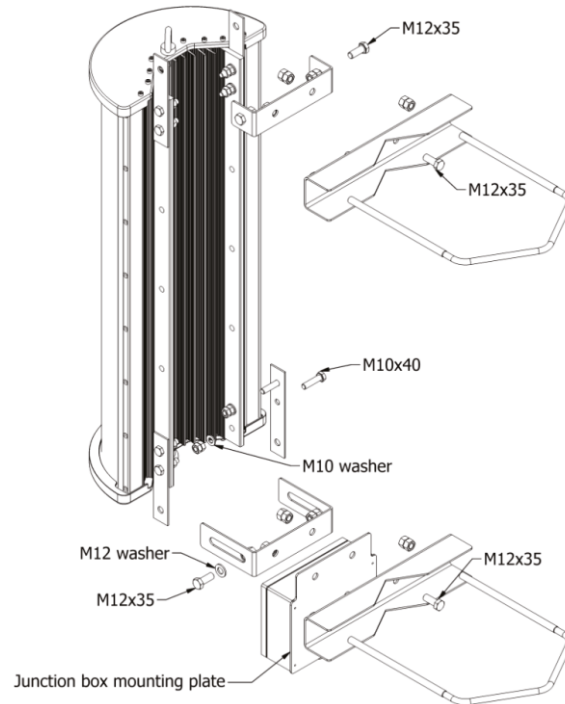
## MECHANICAL DIMENSIONS



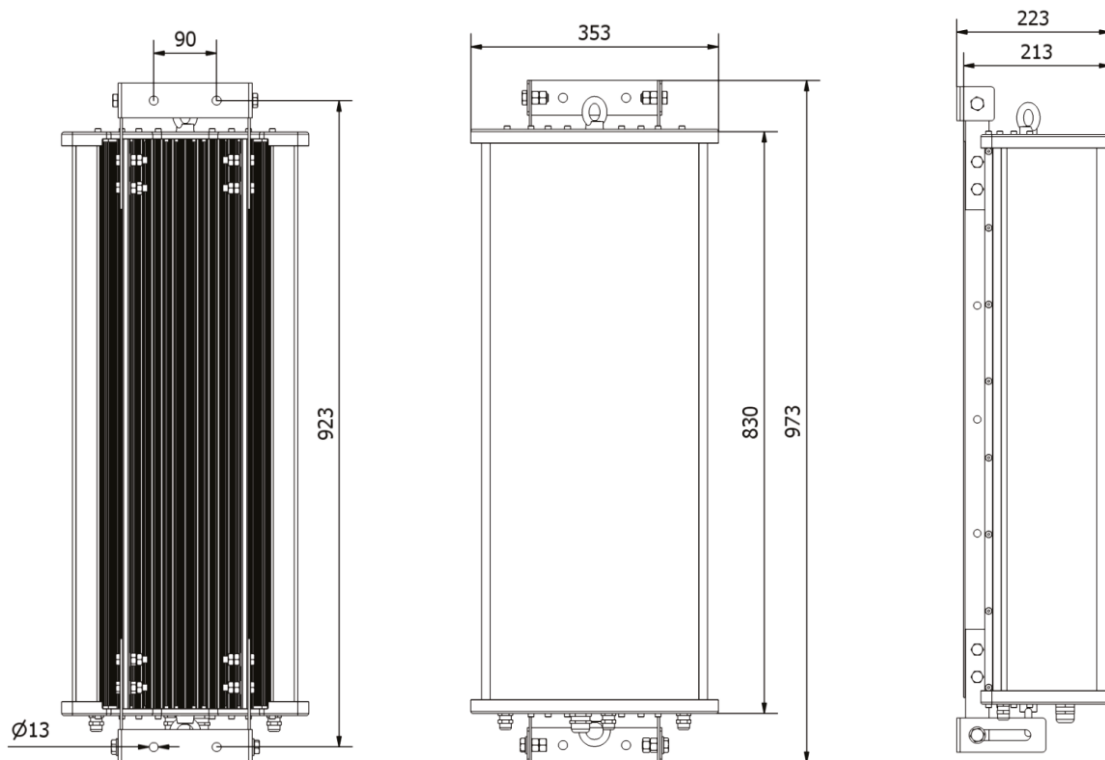
# High Intensity 200,000cd white ICAO Type A LED flashing obstacle light

CEL-HI-200KW-x

## VERTICAL MOUNTING SET



## WALL MOUNTING SET



# High Intensity 200,000cd white ICAO Type A LED flashing obstacle light

CEL-HI-200KW-x

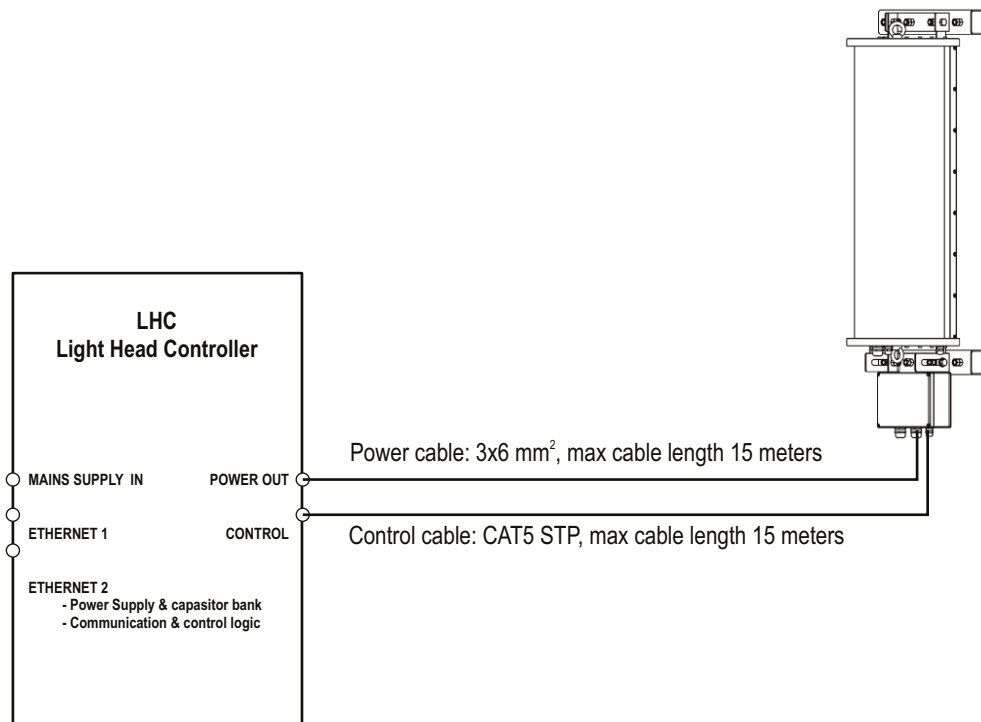
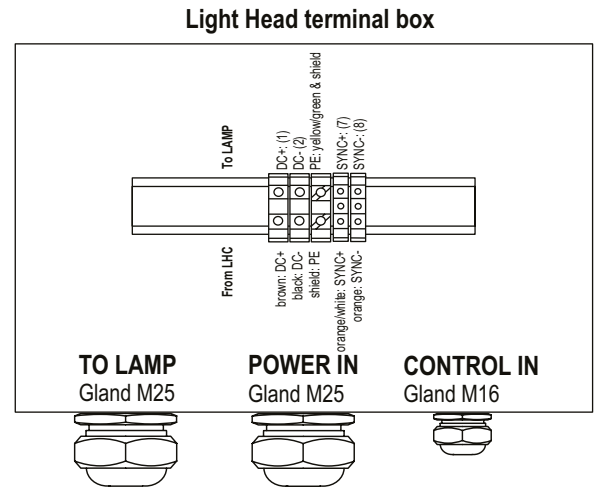
## INSTALLATION INSTRUCTIONS

### LIGHT HEAD TERMINAL BOX CONNECTIONS

CEL HI-200KW light head is connected to light head controller, LHC, via terminal box installed close to the light head. LHC provides light head's supply voltage and flash control with separate cables which are connected to light head's terminal box.

Terminal box connection instructions and cable recommendations:

<p><b>To lamp</b> 4x2,5 + 4x1mm<sup>2</sup></p> <p>1 = DC+ 2 = DC- 3 = NC ye/gr = PE 7 = SYNC+ 8 = SYNC- shield = PE</p>	<p><b>Power in</b> 3x6mm<sup>2</sup></p> <p>br = DC+ bk = DC- wh = NC shield = PE</p>	<p><b>Control in</b> CAT5</p> <p>or/wh = SYNC+ or = SYNC-</p>
--	---	---



# High Intensity 200,000cd white ICAO Type A LED flashing obstacle light

CEL-HI-200KW-x

**TYPICAL APPLICATION**  
**4-LEVEL BROADCAST MAST**

